



CUT RESISTANT CLOTHING FOR HIGH-RISK INDUSTRIES

2025 Catalogue



LEVEL
A5

CUT RESISTANCE

ANSI/ISEA 2016

LEVEL
E

CUT RESISTANCE (TDM-100 Test)

EN 388:2016

LEVEL
4

TEAR RESISTANCE

EN 388:2016

LEVEL
4

PUNCTURE RESISTANCE

EN 388:2016

LEVEL
3

ABRASION RESISTANCE

EN 388:2016

Contents

02 CutPRO® Cut Resistant Clothing

03 About Cut-Tex® PRO

JACKETS

04 **100200** Turtleneck Zipped Jacket with Tape and Breathable Back

05 **800530** Turtleneck Zipped Jacket with Tape and Breathable Underarms

SHIRTS

06 **100210** Collared Top with Breathable Back

07 **100218** Crew Neck Top with Breathable Back

08 **100201** Crew Neck Top with Half Armguard and Belly Patch

09 **100202** Crew Neck Top with Half Armguard

10 **100212** Crew Neck Top with Full Armguard

11 **100217** Crew Neck Top with Full Armguard and Belly Patch

12 **100221** Turtleneck Top with Rear Half Zip and Breathable Back

13 **100222** Turtleneck Top with Rear Half Zip

TROUSERS

14 **100206** Trousers with Front Protection

15 **100216** Trousers with Front and Back Protection

APRONS

16 **100213** Full Length Apron

17 **100214** Half Apron

18 **100215** Split Apron

LAB COATS

19 **100207** Lab Coat

20 **100207/Bespoke** Lab Coat

INFORMATION

21 Size Guide

22 Important Information

23 Maintenance

24 Contact



Introducing CutPRO® Clothing

CutPRO® Clothing is high performance, cut resistant workwear, designed to offer reliable, ultra-durable and thoroughly field-test protection to professionals at risk of cut-injuries in the workplace.

Made from our specialist **Cut-Tex® PRO** fabric, all garments offer outstanding levels of cut, tear, abrasion and puncture resistance, while being durable, lightweight and comfortable.

Used across the **CutPRO®** range, our highly acclaimed fabric provides exceptional defence against cuts and lacerations and withstands frequent laundering.

CutPRO® garments are fully **CE** certified and recognised by the **BSIF**, with a 6 month workmanship guarantee.

More Information

- Cuts and lacerations can cause rapid blood loss, infection, permanent damage to soft tissues and even death.
- These incidents cost firms' time and money, they highlight a serious failure in employers' duty of care; possibly leading to reputation loss and criminal prosecution.
- Cheaper alternatives often offer inferior protection, costing customers more in replacements while compromising safety.

CutPRO® Clothing Certifications and Associations

We are proudly **CE** and **ISO9001:2015** certified with **UKAS** accreditation. This means you can rest assured that our garments meet the standards necessary to ensure the safety of your team.



As our garments are fully **CE** certified, they can be resold in the European Union as Personal Protective Equipment (PPE) which meets EU standards for health, safety, and environmental protection.



The **British Safety Industry Federation (BSIF)** is the trade association for the Personal Protective Equipment (PPE) Regulation and has Primary Authority status with Trading Standards. As a **BSIF Registered Safety Supplier**, our products and services are certified to meet the appropriate EU standard.

About Cut-Tex® PRO



Cut-Tex® PRO is our premium, high-performance fabric offering excellent cut and slash resistance. Designed for comfort and durability, it is fully machine washable and boasts exceptional strength. This makes it the ideal choice for our CutPRO® Cut Resistant Clothing, providing reliable protection and long-lasting wear in high-risk environments. **As you can see below, Cut-Tex® PRO performs very highly in all cut, abrasion, tear and puncture tests:**

Cut-Tex® PRO Performance Chart

> **Cut Resistance** - ANSI/ISEA 105-2016 Blade Resistance Levels A1-A9



> **Cut Resistance** - EN 388:2016 (TDM-100 Test)



> **Tear Resistance** - EN 388:2016 Tear Resistance Levels 1 - 4



> **Puncture Resistance** - EN 388:2016 Puncture Resistance Levels 1 - 4



> **Abrasion Resistance** - EN 388:2016 Abrasion Resistance Levels 1 - 4





CutPRO® Turtleneck Zipped Jacket with Tape and Breathable Back

CutPRO® Cut Resistant Jackets are manufactured using Cut-Tex® PRO fabric, offering outstanding tested and certified levels of cut, abrasion, tear and puncture resistance.



Model #: 100200

Features and Benefits

- Cut-Tex® PRO fabric is used to provide excellent cut resistance
- Full front, arms, neck and shoulder protection
- Breathable polyester back
- Thumb holes
- Bright yellow tape
- Full front zip
- 100% latex free

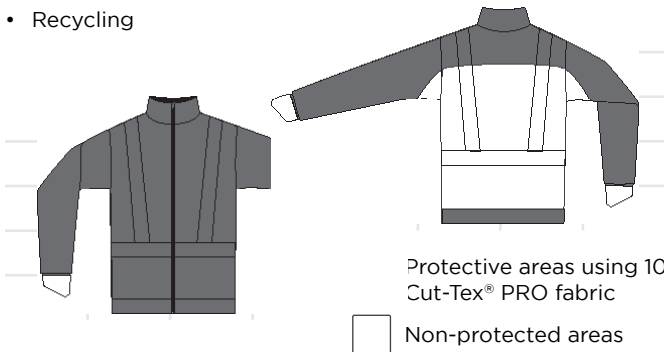
Bespoke features available - please contact us for further details

**Minimum order quantities apply for logo embroidery*

- Logo embroidery

Suitable for professionals working in the following industries:

- Glass and glazing
- Metal
- Ceramics
- Industrial manufacturing
- Recycling



Standard	Level
Cut Resistance	
EN 388:2016 (TDM-100 Test)	E
ANSI/ISEA 105-2016	A5
EN 388:2016	
Tear Resistance	4
Puncture Resistance	4
Abrasion Resistance	3
Material Content	
Cut-Tex® PRO, Polyester	
Sizes	
S - 5XL (See sizing guide on page 21)	
Colour	
Cut-Tex® PRO - Grey Marl	
Polyester - Black	
Other colour options available in non-Cut-Tex® PRO materials subject to minimum order quantities. Please contact us for more information	
Place of Manufacture	
UK - CE PPE Regulation (EU) 2016/425	



CutPRO® branded products are unavailable in Canada, please contact us for other available branding options.





CutPRO® Turtleneck Zippered Jacket with Tape and Breathable Underarms

CutPRO® Cut Resistant Jackets are manufactured using Cut-Tex® PRO fabric, offering outstanding tested and certified levels of cut, abrasion, tear and puncture resistance.

Model #: 800530

Features and Benefits

- Cut-Tex® PRO fabric is used to provide excellent cut resistance
- Full front, arms, neck and back protection
- Breathable underarms
- Thumb holes
- Bright yellow tape
- Full front zip
- 100% latex free

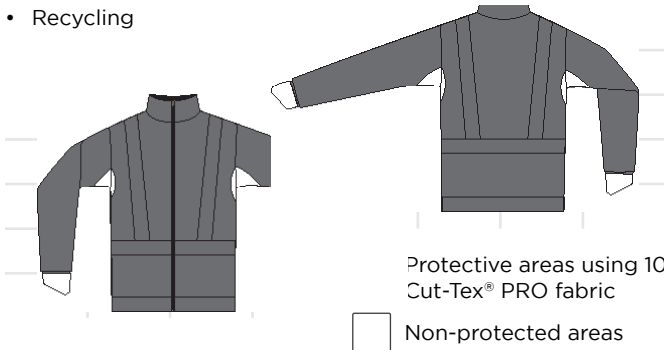
Bespoke features available - please contact us for further details

**Minimum order quantities apply for logo embroidery*

- Logo embroidery

Suitable for professionals working in the following industries:

- Glass and glazing
- Metal
- Ceramics
- Industrial manufacturing
- Recycling



Standard

Level

Cut Resistance

EN 388:2016 (TDM-100 Test)

E

ANSI/ISEA 105-2016

A5

EN 388:2016

Tear Resistance

4

Puncture Resistance

4

Abrasion Resistance

3

Material Content

Cut-Tex® PRO, Polyester

Sizes

S - 5XL (See sizing guide on page 21)

Colour

Cut-Tex® PRO - Grey Marl
Polyester - Black



Other colour options available in non-Cut-Tex® PRO materials subject to minimum order quantities. Please contact us for more information

Place of Manufacture

UK - CE PPE Regulation (EU) 2016/425

MOQs APPLY FOR THIS PRODUCT



EN 388



3X44E



CutPRO® branded products are unavailable in Canada, please contact us for other available branding options.





CutPRO® Collared Top with Breathable Back

CutPRO® Cut Resistant Tops are manufactured using Cut-Tex® PRO fabric, offering outstanding tested and certified levels of cut, abrasion, tear and puncture resistance.

Model #: 100210

Features and Benefits

- Cut-Tex® PRO fabric is used to provide excellent cut resistance
- Full front, neck and arm protection
- Breathable polyester back
- Thumb holes
- 8" length zip
- Shoulder and elbow patches
- 100% latex free

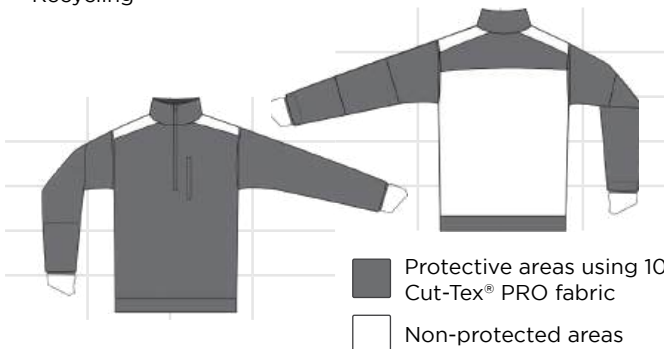
Bespoke features available - please contact us for further details

**Minimum order quantities apply for logo embroidery*

- Logo embroidery

Suitable for professionals working in the following industries:

- Glass and glazing
- Metal
- Ceramics
- Industrial manufacturing
- Recycling



Standard	Level
Cut Resistance	
EN 388:2016 (TDM-100 Test)	E
ANSI/ISEA 105-2016	A5
EN 388:2016	
Tear Resistance	4
Puncture Resistance	4
Abrasion Resistance	3
Material Content	
Cut-Tex® PRO, Polyester, Cotton	
Sizes	
S - 5XL (See sizing guide on page 21)	
Colour	
Cut-Tex® PRO - Grey Marl	<input type="checkbox"/>
Piping - Orange	<input checked="" type="checkbox"/>
Polycotton - Grey	<input type="checkbox"/>
Other colour options available in non-Cut-Tex® PRO materials subject to minimum order quantities. Please contact us for more information	
Place of Manufacture	
UK - CE PPE Regulation (EU) 2016/425	



CutPRO® branded products are unavailable in Canada, please contact us for other available branding options.





CutPRO® Crew Neck Top with Breathable Back

CutPRO® Cut Resistant Tops are manufactured using Cut-Tex® PRO fabric, offering outstanding tested and certified levels of cut, abrasion, tear and puncture resistance.

Model #: 100218

Features and Benefits

- Cut-Tex® PRO fabric is used to provide excellent cut resistance
- Full front, arms and shoulder protection
- Breathable polyester back and underarms
- Thumb holes
- Crew neck
- 100% latex free

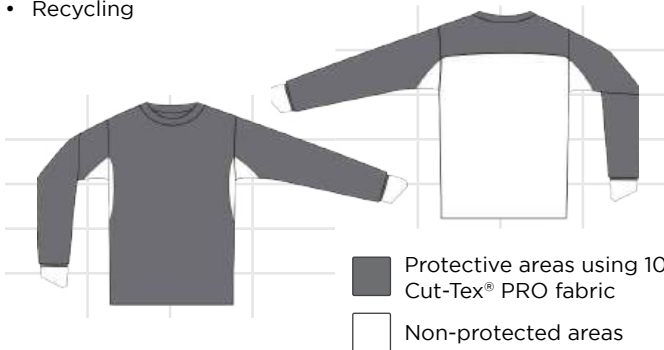
Bespoke features available - please contact us for further details

**Minimum order quantities apply for logo embroidery*

- Logo embroidery

Suitable for professionals working in the following industries:

- Glass and glazing
- Metal
- Ceramics
- Industrial manufacturing
- Recycling



Standard	Level
Cut Resistance	
EN 388:2016 (TDM-100 Test)	E
ANSI/ISEA 105-2016	A5
EN 388:2016	
Tear Resistance	4
Puncture Resistance	4
Abrasion Resistance	3
Material Content	
Cut-Tex® PRO, Polyester	
Sizes	
S - 5XL (See sizing guide on page 21)	
Colour	
Cut-Tex® PRO - Grey Marl	
Polyester - Orange	
Other colour options available in non-Cut-Tex® PRO materials subject to minimum order quantities. Please contact us for more information	
Place of Manufacture	
UK - CE PPE Regulation (EU) 2016/425	



CutPRO® branded products are unavailable in Canada, please contact us for other available branding options.





CutPRO® Crew Neck Top with Half Armguard and Belly Patch

CutPRO® Cut Resistant Tops are manufactured using Cut-Tex® PRO fabric, offering outstanding tested and certified levels of cut, abrasion, tear and puncture resistance.

Model #: 100201

Features and Benefits

- Cut-Tex® PRO fabric is used to provide excellent cut resistance
- Abdominal and forearm protection
- Breathable polyester chest, shoulders and back
- Thumb holes
- Crew neck
- 100% latex free

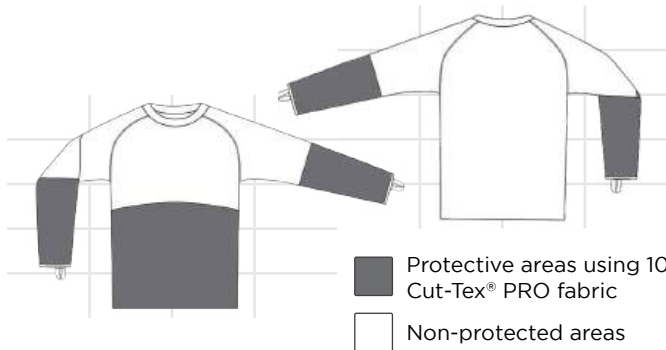
Bespoke features available – please contact us for further details

**Minimum order quantities apply for logo embroidery*

- Logo embroidery

Suitable for professionals working in the following industries:

- Glass and glazing
- Metal
- Ceramics
- Industrial manufacturing
- Recycling



Standard

Level

Cut Resistance

EN 388:2016 (TDM-100 Test)

E

ANSI/ISEA 105-2016

A5

EN 388:2016

Tear Resistance

4

Puncture Resistance

4

Abrasion Resistance

3

Material Content

Cut-Tex® PRO, Polyester

Sizes

S - 5XL (See sizing guide on page 21)

Colour

Cut-Tex® PRO - Grey Marl
Polyester - Orange



Other colour options available in non-Cut-Tex® PRO materials subject to minimum order quantities. Please contact us for more information

Place of Manufacture

UK - CE PPE Regulation (EU) 2016/425

MOQs APPLY FOR THIS PRODUCT



CutPRO® branded products are unavailable in Canada, please contact us for other available branding options.





CutPRO® Crew Neck Top with Half Armguard

CutPRO® Cut Resistant Tops are manufactured using Cut-Tex® PRO fabric, offering outstanding tested and certified levels of cut, abrasion, tear and puncture resistance.

Model #: 100202

Features and Benefits

- Cut-Tex® PRO fabric is used to provide excellent cut resistance
- Forearm protection
- Breathable polyester front, shoulders and back
- Thumb holes
- Crew neck
- 100% latex free

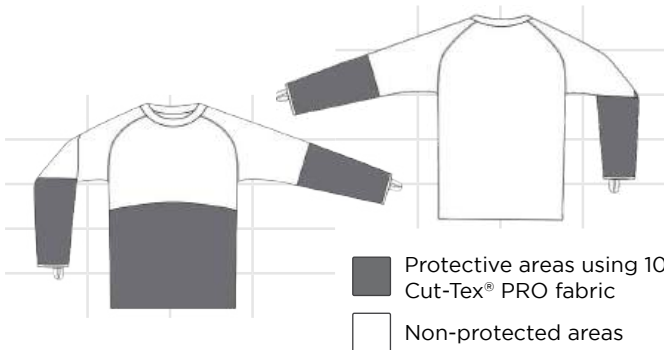
Bespoke features available – please contact us for further details

**Minimum order quantities apply for logo embroidery*

- Logo embroidery

Suitable for professionals working in the following industries:

- Glass and glazing
- Metal
- Ceramics
- Industrial manufacturing
- Recycling



- Protective areas using 100% Cut-Tex® PRO fabric
- Non-protected areas

Standard	Level
Cut Resistance	
EN 388:2016 (TDM-100 Test)	E
ANSI/ISEA 105-2016	A5
EN 388:2016	
Tear Resistance	4
Puncture Resistance	4
Abrasion Resistance	3
Material Content	
Cut-Tex® PRO, Polyester	
Sizes	
S - 5XL (See sizing guide on page 21)	
Colour	
Cut-Tex® PRO - Grey Marl	
Polyester - Orange	
Other colour options available in non-Cut-Tex® PRO materials subject to minimum order quantities. Please contact us for more information	
Place of Manufacture	
UK - CE PPE Regulation (EU) 2016/425	
MOQs APPLY FOR THIS PRODUCT	

CutPRO® branded products are unavailable in Canada, please contact us for other available branding options.





CutPRO® Crew Neck Top with Full Armguard

CutPRO® Cut Resistant Tops are manufactured using Cut-Tex® PRO fabric, offering outstanding tested and certified levels of cut, abrasion, tear and puncture resistance.

Model #: 100212

Features and Benefits

- Cut-Tex® PRO fabric is used to provide excellent cut resistance
- Full arm and shoulder protection
- Breathable polyester front and back
- Thumb holes
- 100% latex free

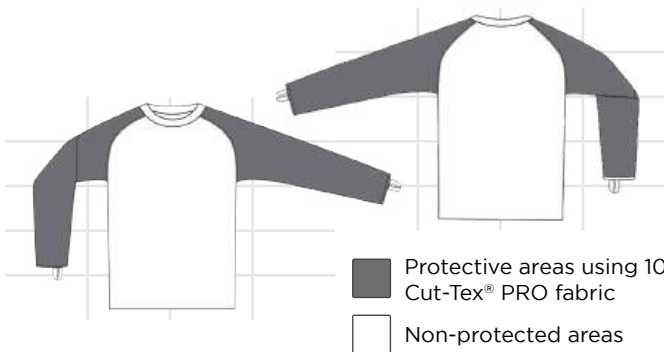
Bespoke features available – please contact us for further details

**Minimum order quantities apply for logo embroidery*

- Logo embroidery

Suitable for professionals working in the following industries:

- Glass and glazing
- Metal
- Ceramics
- Industrial manufacturing
- Recycling



Standard	Level
Cut Resistance	
EN 388:2016 (TDM-100 Test)	E
ANSI/ISEA 105-2016	A5
EN 388:2016	
Tear Resistance	4
Puncture Resistance	4
Abrasion Resistance	3
Material Content	
Cut-Tex® PRO, Polyester	
Sizes	
S - 5XL (See sizing guide on page 21)	
Colour	
Cut-Tex® PRO - Grey Marl	<input type="checkbox"/>
Polyester - Orange	<input type="checkbox"/>
Other colour options available in non-Cut-Tex® PRO materials subject to minimum order quantities. Please contact us for more information	
Place of Manufacture	
UK - CE PPE Regulation (EU) 2016/425	
MOQs APPLY FOR THIS PRODUCT	



CutPRO® branded products are unavailable in Canada, please contact us for other available branding options.





CutPRO® Crew Neck Top with Full Armguard and Belly Patch

CutPRO® Cut Resistant Tops are manufactured using Cut-Tex® PRO fabric, offering outstanding tested and certified levels of cut, abrasion, tear and puncture resistance.

Model #: 100217

Features and Benefits

- Cut-Tex® PRO fabric is used to provide excellent cut resistance
- Full arm, shoulder and abdomen protection
- Breathable polyester chest and back
- Thumb holes
- 100% latex free

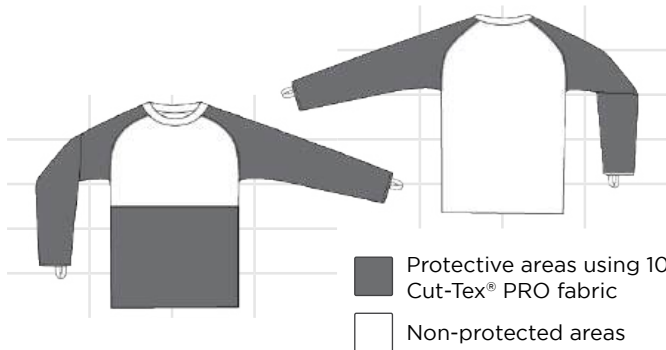
Bespoke features available - please contact us for further details

**Minimum order quantities apply for logo embroidery*

- Logo embroidery

Suitable for professionals working in the following industries:

- Glass and glazing
- Metal
- Ceramics
- Industrial manufacturing
- Recycling



Standard

Level

Cut Resistance

EN 388:2016 (TDM-100 Test)

E

ANSI/ISEA 105-2016

A5

EN 388:2016

Tear Resistance

4

Puncture Resistance

4

Abrasion Resistance

3

Material Content

Cut-Tex® PRO, Polyester

Sizes

S - 5XL (See sizing guide on page 21)

Colour

Cut-Tex® PRO - Grey Marl
Polyester - Orange



Other colour options available in non-Cut-Tex® PRO materials subject to minimum order quantities. Please contact us for more information

Place of Manufacture

UK - CE PPE Regulation (EU) 2016/425

MOQs APPLY FOR THIS PRODUCT



CutPRO® branded products are unavailable in Canada, please contact us for other available branding options.





CutPRO® Turtleneck Top with Rear Half Zip and Breathable Back

CutPRO® Cut Resistant Turtleneck Pullovers are manufactured using Cut-Tex® PRO fabric, offering outstanding tested and certified levels of cut, abrasion, tear and puncture resistance.

Model #: 100221

Features and Benefits

- Cut-Tex® PRO fabric is used to provide excellent cut resistance
- Full front arms, neck and shoulder protection
- Breathable polyester back and underarms
- Thumb holes
- 100% latex free

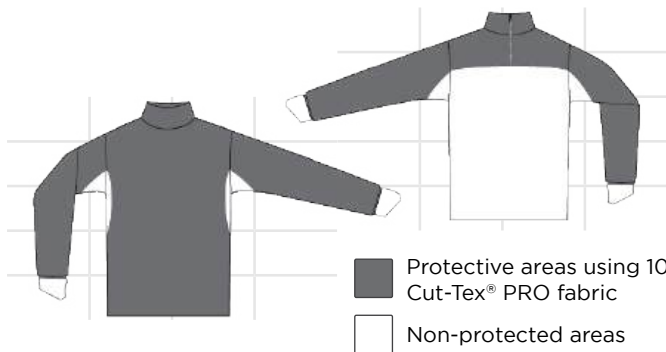
Bespoke features available - please contact us for further details

**Minimum order quantities apply for logo embroidery*

- Logo embroidery

Suitable for professionals working in the following industries:

- Glass and glazing
- Metal
- Ceramics
- Industrial manufacturing
- Recycling



Standard

Level

Cut Resistance

EN 388:2016 (TDM-100 Test)

E

ANSI/ISEA 105-2016

A5

EN 388:2016

Tear Resistance

4

Puncture Resistance

4

Abrasion Resistance

3

Material Content

Cut-Tex® PRO, Polyester

Sizes

S - 5XL (See sizing guide on page 21)

Colour

Cut-Tex® PRO - Grey Marl
Polyester - Black, Grey



Other colour options available in non-Cut-Tex® PRO materials subject to minimum order quantities. Please contact us for more information

Place of Manufacture

UK - CE PPE Regulation (EU) 2016/425

MOQs APPLY FOR THIS PRODUCT



CutPRO® branded products are unavailable in Canada, please contact us for other available branding options.





CutPRO® Turtleneck Top with Rear Half Zip

CutPRO® Cut Resistant Turtleneck Pullovers are manufactured using Cut-Tex® PRO fabric, offering outstanding tested and certified levels of cut, abrasion, tear and puncture resistance.

Model #: 100222

Features and Benefits

- Cut-Tex® PRO fabric is used to provide excellent cut resistance
- Full front arms, neck and shoulder protection
- Thumb holes
- 100% latex free

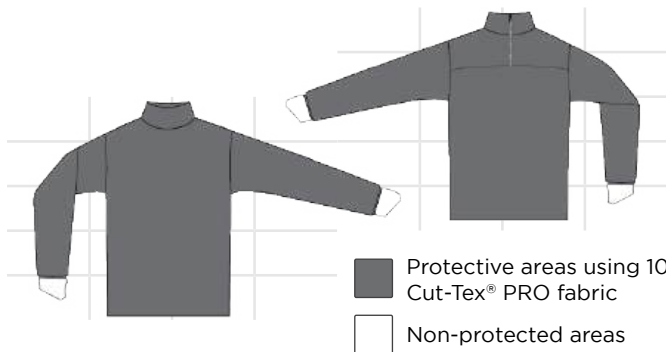
Bespoke features available – please contact us for further details

**Minimum order quantities apply for logo embroidery*

- Logo embroidery

Suitable for professionals working in the following industries:

- Glass and glazing
- Metal
- Ceramics
- Industrial manufacturing
- Recycling



Standard

Level

Cut Resistance

EN 388:2016 (TDM-100 Test)

E

ANSI/ISEA 105-2016

A5

EN 388:2016

Tear Resistance

4

Puncture Resistance

4

Abrasion Resistance

3

Material Content

Cut-Tex® PRO, Polyester

Sizes

S - 5XL (See sizing guide on page 21)

Colour

Cut-Tex® PRO - Grey Marl



Other colour options available in non-Cut-Tex® PRO materials subject to minimum order quantities. Please contact us for more information

Place of Manufacture

UK - CE PPE Regulation (EU) 2016/425

MOQs APPLY FOR THIS PRODUCT



CutPRO® branded products are unavailable in Canada, please contact us for other available branding options.





CutPRO® Trousers with Front Protection

CutPRO® Cut Resistant Trousers are manufactured using Cut-Tex® PRO fabric, offering outstanding tested and certified levels of cut, abrasion, tear and puncture resistance.

Model #: 100206

Features and Benefits

- Cut-Tex® PRO fabric is used to provide excellent cut resistance
- Full front leg protection
- Knee patches
- Bright orange piping
- Belt loops
- Front and rear pockets
- Side leg pocket
- D-ring attachment
- 100% latex free

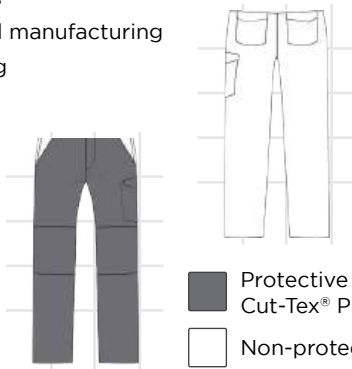
Bespoke features available – please contact us for further details

**Minimum order quantities apply for logo embroidery*

- Garment available with front and back protection (100216)

Suitable for professionals working in the following industries:

- Glass and glazing
- Metal
- Ceramics
- Industrial manufacturing
- Recycling



■ Protective areas using 100% Cut-Tex® PRO fabric
□ Non-protected areas

Standard	Level
Cut Resistance	
EN 388:2016 (TDM-100 Test)	E
ANSI/ISEA 105-2016	A5
EN 388:2016	
Tear Resistance	4
Puncture Resistance	4
Abrasion Resistance	3
Material Content	
Cut-Tex® PRO, Nylon, Polyester, Cotton, Velcro	
Sizes	
Waist: 30"/32"/34"/36"/38"/40"/42"/44"/46"/48" Adjustable leg lengths between 30 - 34 inches (See sizing guide on page 21)	
Colour	
Cut-Tex® PRO - Grey Marl	
Piping - Orange	
Polycotton - Grey	
Other colour options available in non-Cut-Tex® PRO materials subject to minimum order quantities. Please contact us for more information	
Place of Manufacture	
UK - CE PPE Regulation (EU) 2016/425	



CutPRO® branded products are unavailable in Canada, please contact us for other available branding options.





CutPRO® Trousers with Front and back Protection

CutPRO® Cut Resistant Trousers are manufactured using Cut-Tex® PRO fabric, offering outstanding tested and certified levels of cut, abrasion, tear and puncture resistance.

Model #: 100216

Features and Benefits

- Cut-Tex® PRO fabric is used to provide excellent cut resistance
- Full front, lower back leg and groin protection
- Knee patches
- Bright orange piping
- Belt loops
- Rear pockets
- Side leg pocket
- D-ring attachment
- 100% latex free

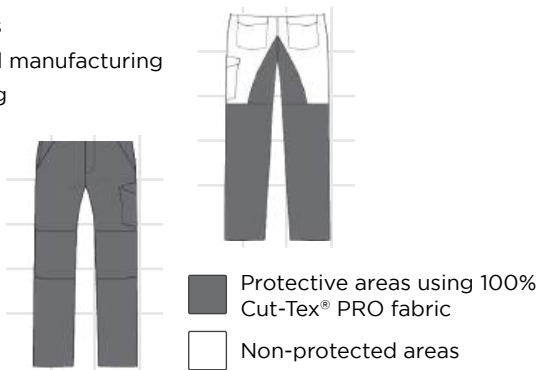
Bespoke features available - please contact us for further details

**Minimum order quantities apply for logo embroidery*




- Garment available with front and back protection (100216)

Suitable for professionals working in the following industries:

- Glass and glazing
- Metal
- Ceramics
- Industrial manufacturing
- Recycling



CutPRO® branded products are unavailable in Canada, please contact us for other available branding options.

Standard	Level
Cut Resistance	
EN 388:2016 (TDM-100 Test)	E
ANSI/ISEA 105-2016	A5
EN 388:2016	
Tear Resistance	4
Puncture Resistance	4
Abrasion Resistance	3
Material Content	
Cut-Tex® PRO, Polyester	
Sizes	
Waist: 30"/32"/34"/36"/38"/40"/42"/44"/46"/48" Adjustable leg lengths between 30 - 34 inches (See sizing guide on page 21)	
Colour	
Cut-Tex® PRO - Grey Marl	
Piping - Orange	
Polycotton - Grey	
Other colour options available in non-Cut-Tex® PRO materials subject to minimum order quantities. Please contact us for more information	
Place of Manufacture	
UK - CE PPE Regulation (EU) 2016/425	

MOQs APPLY FOR THIS PRODUCT





CutPRO® Full Length Apron

CutPRO® Cut Resistant Aprons are manufactured using Cut-Tex® PRO fabric, offering outstanding tested and certified levels of cut, abrasion, tear and puncture resistance.

Model #: 100213

Features and Benefits

- Cut-Tex® PRO fabric is used to provide excellent cut resistance
- Full cut protection
- Clip-on adjustable straps
- 100% latex free

Suitable for professionals working in the following industries:

- Glass and glazing
- Metal
- Ceramics
- Industrial manufacturing
- Recycling

Standard

Level

Cut Resistance

EN 388:2016 (TDM-100 Test)	E
ANSI/ISEA 105-2016	A5

EN 388:2016

Tear Resistance	4
Puncture Resistance	4
Abrasion Resistance	3

Material Content

Cut-Tex® PRO, Nylon, Polyester, Cotton

Sizes

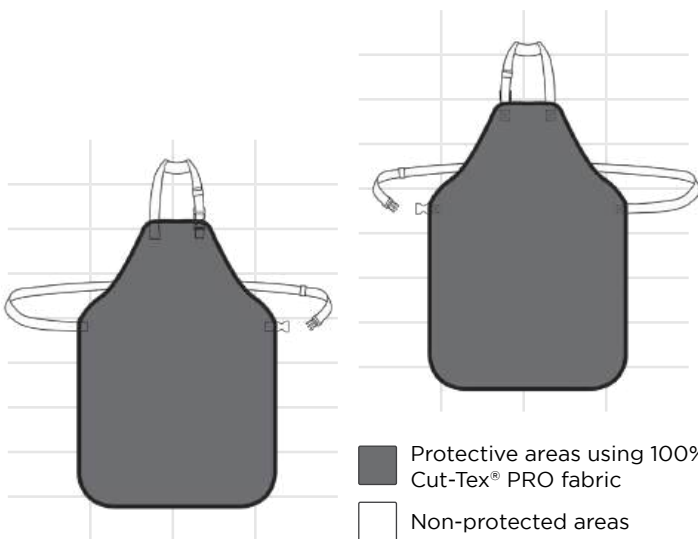
One size (See sizing guide on page 21)

Colour

Cut-Tex® PRO - Grey Marl

Place of Manufacture

UK - CE PPE Regulation (EU) 2016/425



EN 388



3X44E



CutPRO® branded products are unavailable in Canada, please contact us for other available branding options.



CutPRO® Half Apron

CutPRO® Cut Resistant Aprons are manufactured using Cut-Tex® PRO fabric, offering outstanding tested and certified levels of cut, abrasion, tear and puncture resistance.

Model #: 100214

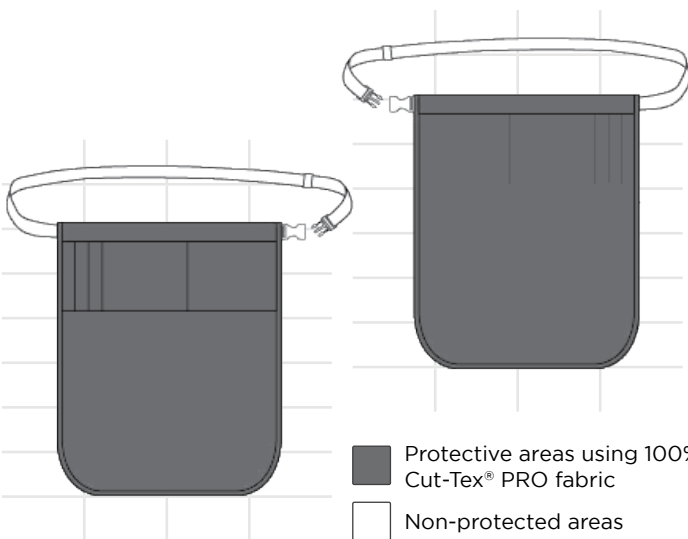


Features and Benefits

- Cut-Tex® PRO fabric is used to provide excellent cut resistance
- Full cut protection
- Various sized pockets
- Clip-on adjustable strap
- 100% latex free

Suitable for professionals working in the following industries:

- Glass and glazing
- Metal
- Ceramics
- Industrial manufacturing
- Recycling



Standard	Level
Cut Resistance	
EN 388:2016 (TDM-100 Test)	E
ANSI/ISEA 105-2016	A5
EN 388:2016	
Tear Resistance	4
Puncture Resistance	4
Abrasion Resistance	3
Material Content	
Cut-Tex® PRO, Nylon, Polyester, Cotton	
Sizes	
One size (See sizing guide on page 21)	
Colour	
Cut-Tex® PRO - Grey Marl	■
Place of Manufacture	
UK - CE PPE Regulation (EU) 2016/425	



CutPRO® branded products are unavailable in Canada, please contact us for other available branding options.



CutPRO® Split Apron

CutPRO® Cut Resistant Aprons are manufactured using Cut-Tex® PRO fabric, offering outstanding tested and certified levels of cut, abrasion, tear and puncture resistance.

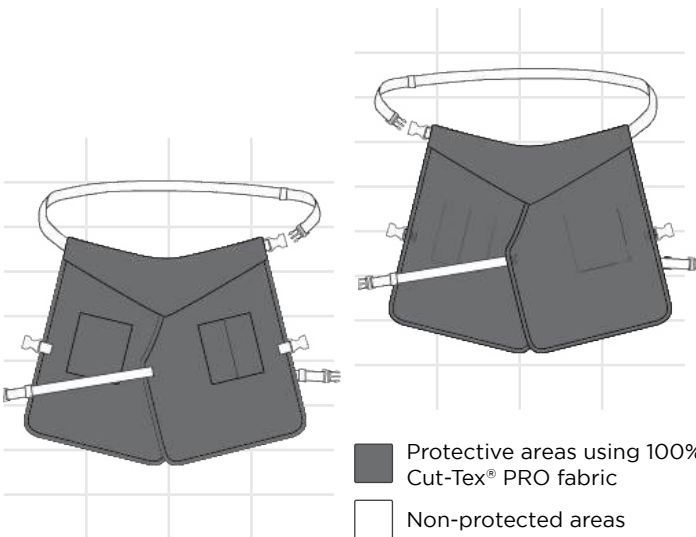
Model #: 100215

Features and Benefits

- Cut-Tex® PRO fabric is used to provide excellent cut resistance
- Full cut protection
- Clip-on adjustable strap
- 100% latex free

Suitable for professionals working in the following industries:

- Glass and glazing
- Metal
- Ceramics
- Industrial manufacturing
- Recycling



Standard	Level
Cut Resistance	
EN 388:2016 (TDM-100 Test)	E
ANSI/ISEA 105-2016	A5
EN 388:2016	
Tear Resistance	4
Puncture Resistance	4
Abrasion Resistance	3
Material Content	
Cut-Tex® PRO, Nylon, Polyester, Cotton	
Sizes	
One size (See sizing guide on page 21)	
Colour	
Cut-Tex® PRO - Grey Marl	
Place of Manufacture	
UK - CE PPE Regulation (EU) 2016/425	



CutPRO® branded products are unavailable in Canada, please contact us for other available branding options.



CutPRO® Lab Coat

CutPRO® Cut Resistant Coats are manufactured using Cut-Tex® PRO fabric, offering outstanding tested and certified levels of cut, abrasion, tear and puncture resistance.

Model #: 100207



Features and Benefits

- Cut-Tex® PRO fabric is used to provide excellent cut resistance
- Full front, neck, shoulder and arm protection
- Cool mesh back
- Inside breast pocket
- Full front zip with added Velcro
- 100% latex free

Suitable for professionals working in the following industries:

- Glass and glazing
- Metal
- Ceramics
- Industrial manufacturing
- Recycling



- Protective areas using 100% Cut-Tex® PRO fabric
- Non-protected areas

Standard	Level
Cut Resistance	
EN 388:2016 (TDM-100 Test)	E
ANSI/ISEA 105-2016	A5
EN 388:2016	
Tear Resistance	4
Puncture Resistance	4
Abrasion Resistance	3
Material Content	
Cut-Tex® PRO, Nylon	
Sizes	
S - 5XL (See sizing guide on page 21)	
Colour	
Cut-Tex® PRO - Grey Marl	
Place of Manufacture	
UK - CE PPE Regulation (EU) 2016/425	

MOQs APPLY FOR THIS PRODUCT



CutPRO® branded products are unavailable in Canada, please contact us for other available branding options.





CutPRO® Bespoke Lab Coat

CutPRO® Cut Resistant Coats are manufactured using Cut-Tex® PRO fabric, offering outstanding tested and certified levels of cut, abrasion, tear and puncture resistance.

Model #: 100207 / Bespoke



Features and Benefits

- Cut-Tex® PRO fabric is used to provide excellent cut resistance
- Full front, neck, shoulder and arm protection
- Cool mesh back
- Inside breast pocket
- Full front zip with added Velcro
- 100% latex free
- Bright yellow tape

Suitable for professionals working in the following industries:

- Glass and glazing
- Metal
- Ceramics
- Industrial manufacturing
- Recycling



- Protective areas using 100% Cut-Tex® PRO fabric
- Non-protected areas

Standard	Level
Cut Resistance	
EN 388:2016 (TDM-100 Test)	E
ANSI/ISEA 105-2016	A5
EN 388:2016	
Tear Resistance	4
Puncture Resistance	4
Abrasion Resistance	3
Material Content	
Cut-Tex® PRO, Nylon	
Sizes	
S - 5XL (See sizing guide on page 21)	
Colour	
Cut-Tex® PRO - Grey Marl 	
Place of Manufacture	
UK - CE PPE Regulation (EU) 2016/425	

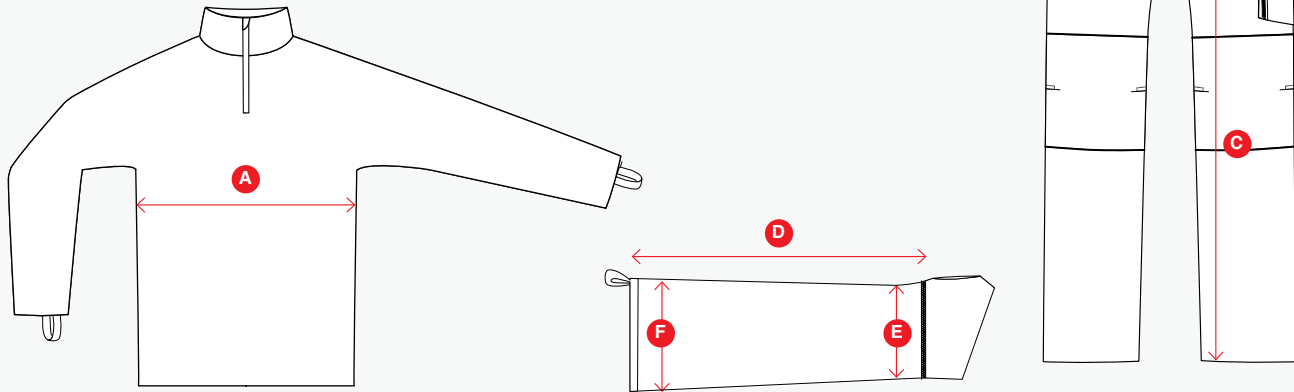
MOQs APPLY FOR THIS PRODUCT



CutPRO® branded products are unavailable in Canada, please contact us for other available branding options.



Size Guide



CutPRO® Chest - Size Guide

Size	S	M	L	XL	2XL	3XL	4XL	5XL
A To fit CHEST (inches)	38-40"	40-42"	42-44"	44-46"	46-48"	48-50"	50-52"	52-54"
To fit CHEST (cm)	92-102	102-107	107-112	112-117	117-120	120-127	127-132	132-137

CutPRO® Waist - Size Guide

B Waist Size (inches)	30"	32"	34"	36"	38"	40"	42"	44"	46"	48"
Waist Size (cm)	76	81	86	91	96	101	106	111	116	121
Tall Leg to fit 33"/86cm	33"	33"	33"	33"	33"	33"	33"	33"	N/A	N/A

CutPRO® Sleeve - Size Guide

Size	S	M	L	XL
D Actual Sleeve Length (cm)	30	32	33	34
E Actual Cuff Width - flat (cm)	9	10	11	12
F Actual Arm Width - flat (cm)	11	12	13	14

CutPRO® Apron (with fully adjustable straps) - Size Guide

Product	Full Apron 100213	Half Apron 100214	Split Apron 100215
Actual width (cm) - waist	60	60	60
Actual length (cm)	90	75	55



Important Information

- Do not use this product for protection from high speed or serrated blades.
- Do not use this product near moving machines or where there is a risk of entanglement.
- Do not use this product for food processing.
- This product is designed to minimise the risk of injury from potential hazards in the industrial work space (abrasions, cut, tears and puncture).
- This product is used only for the designated purpose, no item of PPE can provide full protection.
- This product is not designed to protect the hands, gloves are to be worn when required.
- This product not protect from hypodermic needles or similar sharp pointed objects.
- Care and attention must always be taken when carrying out potential hazardous activities.
- Cut-Tex® PRO is an ultra-high performance cut resistant fabric. However, it is not completely cut proof.
- CutPRO® garments should be stored in a temperate dry environment.
- If you suspect aging or loss of performance with your product please contact us directly and provide photographic images.
- Do not attempt to repair CutPRO® clothing yourself. Specialised PPE providers use specialist threads to stitch and sew garments.
- CutPRO® garments are not recyclable. For safe disposal please return your product to CutPRO® Clothing Ltd.



Maintenance

- Do not wear this product if damaged, always inspect prior to use.
- Do not leave in a contaminated condition, launder immediately.
- When not worn, store this product in cool dry conditions away from direct sunlight.
- Wash dark colours separately.
- Do not wash with fabric conditioner.
- Reshape whilst damp.





Contact Us

CutPRO® Clothing Limited
Unit 603, Avenue D,
Thorp Arch Estate
Wetherby, LS23 7FS
United Kingdom

+44 (0) 1423 803758

info@cut-pro.com

www.cut-pro.com

Follow Us

[/company/cutpro-cut-resistant-clothing](#)

[/cutproclothing](#)

[/cutPROclothing](#)

[/cutproclothing](#)

