

PPSS Cut Resistant Split Apron

PPSS Cut Resistant Aprons are manufactured using Cut-Tex® PRO fabric, offering outstanding tested and certified levels of cut, abrasion, tear and puncture resistance.



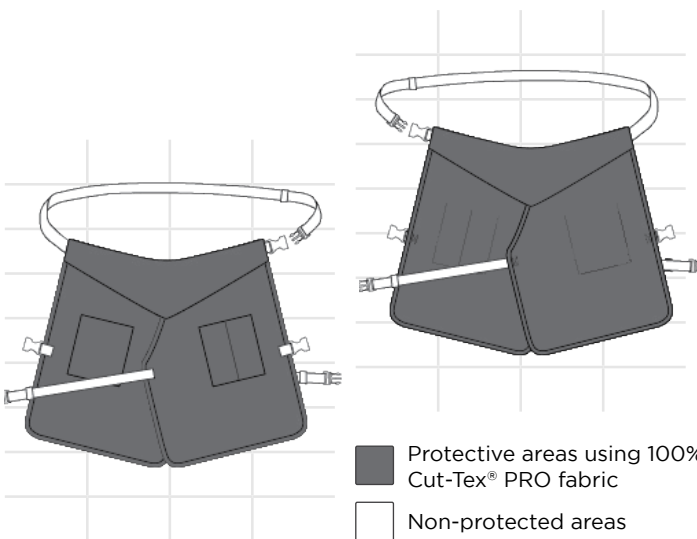
Model #: 100215

Features and Benefits

- Cut-Tex® PRO fabric is used to provide excellent cut resistance
- Full cut protection
- Clip-on adjustable strap
- 100% latex free

Suitable for professionals working in the following industries:

- Glass and glazing
- Metal
- Ceramics
- Industrial manufacturing
- Recycling



Standard	Level
Cut Resistance	
EN 388:2016 (TDM-100 Test)	E
ANSI/ISEA 105-2016	A5
EN 388:2016	
Tear Resistance	4
Puncture Resistance	4
Abrasion Resistance	3
Material Content	
Cut-Tex® PRO, Nylon, Polyester, Cotton	
Sizes	
One size (See sizing guide on page 21)	
Colour	
Cut-Tex® PRO - Grey Marl	
Place of Manufacture	
UK - CE PPE Regulation (EU) 2016/425	

