

# PPSS Cut Resistant Half Apron

PPSS Cut Resistant Aprons are manufactured using Cut-Tex® PRO fabric, offering outstanding tested and certified levels of cut, abrasion, tear and puncture resistance.

**Model #: 100214**

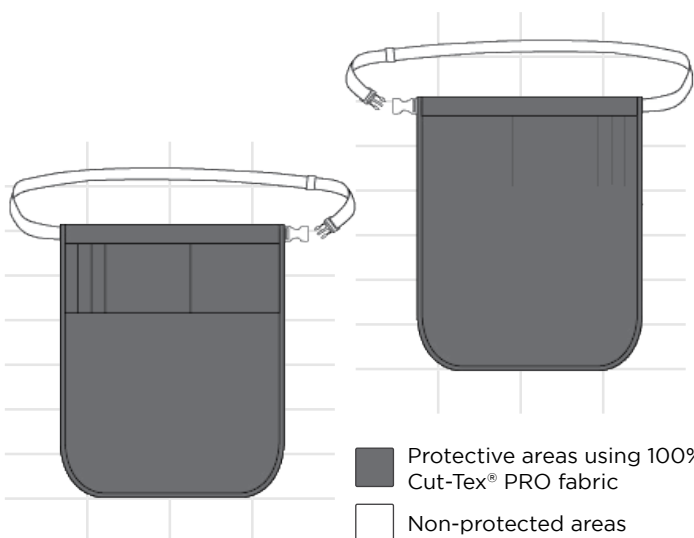



### Features and Benefits

- Cut-Tex® PRO fabric is used to provide excellent cut resistance
- Full cut protection
- Various sized pockets
- Clip-on adjustable strap
- 100% latex free

### Suitable for professionals working in the following industries:

- Glass and glazing
- Metal
- Ceramics
- Industrial manufacturing
- Recycling



Standard	Level
<b>Cut Resistance</b>	
<b>EN 388:2016</b> (TDM-100 Test)	<b>E</b>
<b>ANSI/ISEA 105-2016</b>	<b>A5</b>
<b>EN 388:2016</b>	
<b>Tear Resistance</b>	<b>4</b>
<b>Puncture Resistance</b>	<b>4</b>
<b>Abrasion Resistance</b>	<b>3</b>
<b>Material Content</b>	
Cut-Tex® PRO, Nylon, Polyester, Cotton	
<b>Sizes</b>	
One size (See sizing guide on page 21)	
<b>Colour</b>	
Cut-Tex® PRO - Grey Marl 	
<b>Place of Manufacture</b>	
UK - CE PPE Regulation (EU) 2016/425	



UKCA module B 0338 Approved Body: BTTG, Unit 6 Wheel Forge Way, Trafford Park, Manchester, M17 1EH, United Kingdom.